

Metropolitan Ceramics® Unglazed Ceramic Quarry Tile

When considering floor covering for areas with lots of pedestrian traffic- durability, slip resistance and a long life cycle are a must. The product must perform well even when people are entering from all kinds of weather. Snow, sleet, rain, dirt and dust are constants as people move in and out.

Government and private sector commercial office property is built to last for years, even decades. The floor covering in high traffic and wet areas of these buildings needs to do the same and be easy to maintain throughout its life.

And today, it's just as important to incorporate natural products that have both an economical and ecological benefit. What flooring choice works best in these demanding situations? The answer is an American made product manufactured from natural raw materials and recycled waste material- a product that also offers the best life cycle cost.

Metropolitan Ceramics unglazed quarry tile is the one product that meets all these criteria for public spaces. No glaze to wear off, 1/2" thick for added durability and available in a variety of natural earth tones and shade variations. That's Metropolitan- that's the answer.



Above left is a public works office space. Above right is an entrance hall way in a city hall. The image to the right shows a larger municipal building entryway.

FEATURES & Benefits

- Use Indoors and Out in any Climate.
- Slip Resisting Surface.
- Extreme Durability for Heavy Traffic.
- Will not Bubble-Chip-Melt.
- Resists Grease-Bacteria-Dirty Water.
- Unglazed Surface Won't Show Wear.
- Can be Used Vertically.
- Resists Chipping and Abrasion.
- Economical.



Public Spaces/
Office Complex



VERIFIED BY
SCS Global Services

GREEN at a Glance

- ✓ Abundant natural resource.
- ✓ Little waste in production.
- ✓ No volatile organic compounds.
- ✓ Offering decades of performance.
- ✓ Safe to discard or repurpose.



Sizes, Colors, Textures

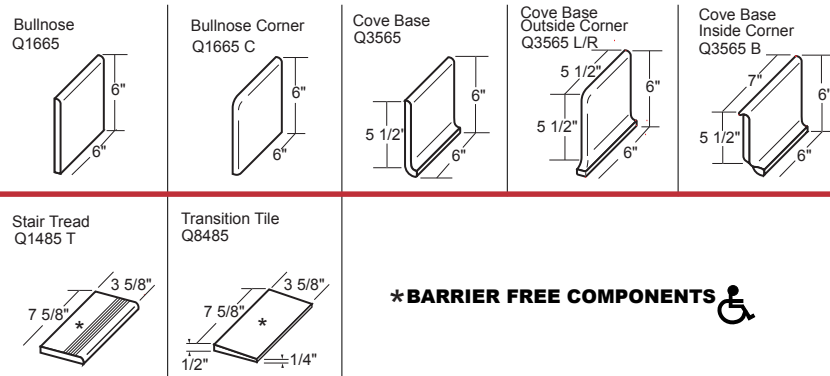
Sizes options include 4" x 8", 4" x 12", 6" x 9", 8" x 8" and 6" x 6". Many size options are nominal (for example, the 4" x 8" is actually 3 5/8" x 7 5/8") to allow for a grout joint when designing patterns. The most popular size 6" x 6" is (actual size). Tile thickness is 1/2". For specific applications, some products are available by special order in 3/8" and 3/4" thickness. Different size options are available in each product line. See the Metropolitan Ceramics website for complete details.

The grout joint recommended in most instances is 3/8". A 1/4" joint may sometimes be used in some instances, see web site for details. Metropolitan quarry tile is available in a variety of natural earth tones. Some products are reduction fired in the kilns to produce a random shade variation. Many colors are manufactured with little to no shade variation- for a 'single tone' appearance.

A number of products are available with texture for added appeal and to increase slip resisting properties. Details on all products manufactured by Metropolitan Ceramics are available on the Metropolitan Ceramics' website - metroceramics.com.

Trim Pieces

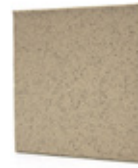
Metropolitan Ceramics offers a number of trim pieces. Shown below are some of the most popular trim options. Please see the Metropolitan web site - metroceramics.com for a complete listing of trim and availability.



Test Results

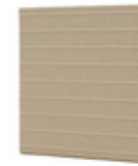
| Specification | Test | Standard | Result |
|------------------------|-----------------------------|---|---|
| Abrasion Resistance | ASTM C1243 | Maximum value of 275 mm ³ | Metropolitan tests at < 275 mm ³ |
| Absorption 5-hour boil | ASTM C373 | Maximum 5% | Metropolitan tests at 3% maximum and qualifies as vitreous. |
| Breaking Strength | ASTM C648 | Average ≥ 275 lbf. | Metropolitan 1/2" thick tests at 800 lbf. or better. Metropolitan 3/8" thick tests at 400 lbf. or better. |
| Thickness | ASTM C499 | Max. range of .050" | Metropolitan meets the standard. |
| Nominal Size | ASTM C499 | The facial dimension of each tile in the sample shall not vary more than ±2.00% from the nominal dimension. | Metropolitan meets the standard. |
| Freeze/ Thaw | ASTM C1026 | Observations after 300 cycles. No visible damage. | Metropolitan meets the standard. |
| Shear Bond Strength | ASTM C482 | 50 P.S.I. or better | Metropolitan exceeds the standard. |
| DCOF Acu Test (wet) | ANSI A137.1 - 2012 BOT 3000 | Threshold of 0.42 | At time of manufacture, Metropolitan QUARRYBASICS® XA Abrasive tests at ≥0.70. All other Metropolitan products exceed 0.60. |
| Warpage | ASTM C485 | Min. -1.5% Max. 1.5% along any edge. Min -1.0% Max 1.0% on either diagonal. | Metropolitan meets the standard. |
| Wedging | ASTM C502 | Min. -1.0% Max. 1.0% | Metropolitan meets the standard. |
| Chemical Resistance | ASTM C650 | As Reported | Class A Classification |
| Stain Resistance | ASTM C1378 | As Reported | Metropolitan meets the standard. |
| Scratch Hardness | MOHS | No Industry Standard | 7 |

Added Slip Resistance



QUARRYBASICS® XA Abrasive

- Silicon Carbide Embedded Surface
- Through-the-Body Metallic Additive



METRO TREAD®

Raised Tread Design - installed in a checkerboard pattern.

Metro Tread has the added benefit of ease of cleaning. Will not trap debris. Meets the strictest health department regulations - California - without the need for additional drains.

Environmental

For more information on Metropolitan Ceramics and LEED V4, please visit our web site - metroceramics.com.

Specifications

By ANSI Standard Specification A137.1 Metropolitan Ceramics' unglazed quarry tile is classified as quarry tile, however, the exceptional technical characteristics noted allow them to be used in virtually any application suitable for ceramic tile. Metropolitan Ceramics' unglazed tile meets both the ASTM standards, the ANSI A137.1 specification for quarry tile, and Metropolitan internal standards as listed.

Cleaning and Maintenance

Metropolitan quarry tile is easy to maintain and requires only neutral cleaners and no special power washing!

For complete specification and cleaning/maintenance information, including download versions, please visit our web site - metroceramics.com

Contact

1.800.325.3945
email: info@ironrock.com
metroceramics.com

P.O. Box 9240 Canton, OH 44711



METROPOLITAN
C E R A M I C S

Ironrock Since 1866

MET_VM_0317