

Metropolitan Ceramics® Unglazed Ceramic Quarry Tile

Metropolitan Ceramics Unglazed Quarry Tile, for your commercial kitchen - There is no equal!

Will not bubble - chip - melt like other commercial flooring products that can be compromised and fail. Fired at high temperatures to take the heat of spilled hot oil or other scorching hot substances.

Very low absorption unlike more porous commercial flooring materials. Resists grease-bacteria- dirty water.

In commercial kitchen installations with heavy traffic and spills apply a water based penetrating sealer to protect the tile and grout from staining, and to help prevent entrapment of grease and food particles. This will make the tile and grout joints easier to keep clean. We highly recommend Aqua Mix® Sealer's Choice Gold. www.custombuilding-products.com

Added slip resistance. Metropolitan Ceramics unglazed quarry tile is naturally a slip resisting product. Metropolitan is available in an abrasive product and tread product for added slip resistance. This, combined with the 6"x6" size and 3/8" grout joint will provide the type of surface required in demanding commercial kitchen applications.



FEATURES & Benefits

- Use Indoors and Out in any Climate.
- Slip Resisting Surface.
- Extreme Durability for Heavy Traffic.
- Will not Bubble-Chip-Melt.
- Resists Grease-Bacteria-Dirty Water.
- Unglazed Surface Won't Show Wear.
- Can be Used Vertically.
- Resists Chipping and Abrasion.
- Economical.



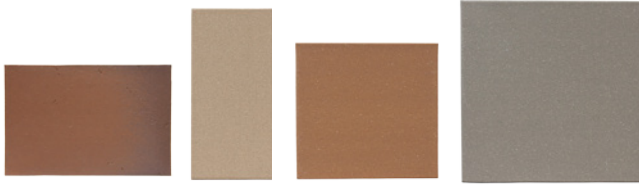
GREEN at a Glance



- ✓ Abundant natural resource.
- ✓ Little waste in production.
- ✓ No volatile organic compounds.
- ✓ Offering decades of performance.
- ✓ Safe to discard or repurpose.

Commercial Kitchens





Sizes, Colors, Textures

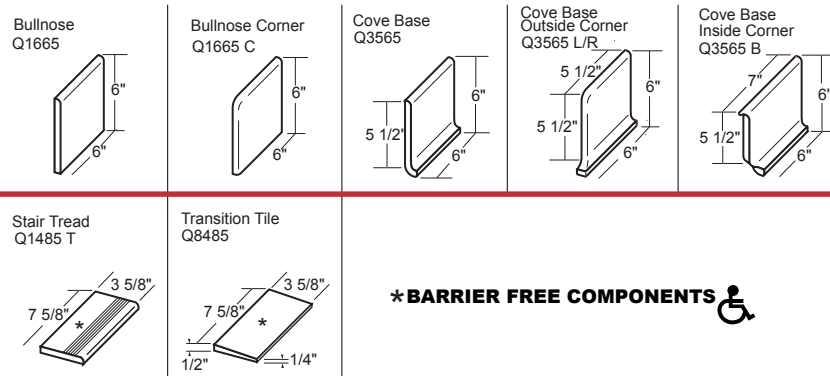
Sizes options include 4" x 8", 4" x 12", 6" x 9", 8" x 8" and 6" x 6". Many size options are nominal (for example, the 4" x 8" is actually 3 5/8" x 7 5/8") to allow for a grout joint when designing patterns. The most popular size 6" x 6" is (actual size). Tile thickness is 1/2". For specific applications, some products are available by special order in 3/8" and 3/4" thickness. Different size options are available in each product line. See the Metropolitan Ceramics website for complete details.

The grout joint recommended in most instances is 3/8". A 1/4" joint may sometimes be used in some instances, see web site for details. Metropolitan quarry tile is available in a variety of natural earth tones. Some products are reduction fired in the kilns to produce a random shade variation. Many colors are manufactured with little to no shade variation- for a 'single tone' appearance.

A number of products are available with texture for added appeal and to increase slip resisting properties. Details on all products manufactured by Metropolitan Ceramics are available on the Metropolitan Ceramics' website - metroceramics.com.

Trim Pieces

Metropolitan Ceramics offers a number of trim pieces. Shown below are some of the most popular trim options. Please see the Metropolitan web site - metroceramics.com for a complete listing of trim and availability.



*BARRIER FREE COMPONENTS

Test Results

| Specification | Test | Standard | Result |
|------------------------|-----------------------------|---|---|
| Abrasion Resistance | ASTM C1243 | Maximum value of 275 mm ³ | Metropolitan tests at < 275 mm ³ |
| Absorption 5-hour boil | ASTM C373 | Maximum 5% | Metropolitan tests at 3% maximum and qualifies as vitreous. |
| Breaking Strength | ASTM C648 | Average ≥ 275 lbf. | Metropolitan 1/2" thick tests at 800 lbf. or better. Metropolitan 3/8" thick tests at 400 lbf. or better. |
| Thickness | ASTM C499 | Max. range of .050" | Metropolitan meets the standard. |
| Nominal Size | ASTM C499 | The facial dimension of each tile in the sample shall not vary more than ±2.00% from the nominal dimension. | Metropolitan meets the standard. |
| Freeze/ Thaw | ASTM C1026 | Observations after 300 cycles. No visible damage. | Metropolitan meets the standard. |
| Shear Bond Strength | ASTM C482 | 50 P.S.I. or better | Metropolitan exceeds the standard. |
| DCOF Acu Test (wet) | ANSI A137.1 - 2012 BOT 3000 | Threshold of 0.42 | At time of manufacture, Metropolitan QUARRYBASICS® XA Abrasive tests at ≥0.70. All other Metropolitan products exceed 0.60. |
| Warpage | ASTM C485 | Min. -1.5% Max. 1.5% along any edge. Min -1.0% Max 1.0% on either diagonal. | Metropolitan meets the standard. |
| Wedging | ASTM C502 | Min. -1.0% Max. 1.0% | Metropolitan meets the standard. |
| Chemical Resistance | ASTM C650 | As Reported | Class A Classification |
| Stain Resistance | ASTM C1378 | As Reported | Metropolitan meets the standard. |
| Scratch Hardness | MOHS | No Industry Standard | 7 |

Added Slip Resistance



QUARRYBASICS® XA Abrasive

- Silicon Carbide Embedded Surface
- Through-the-Body Metallic Additive



METRO TREAD®

Raised Tread Design - installed in a checkerboard pattern.

Metro Tread has the added benefit of ease of cleaning. Will not trap debris. Meets the strictest health department regulations - California - without the need for additional drains.

Environmental

For more information on Metropolitan Ceramics and LEED V4, please visit our web site - metroceramics.com.

Specifications

By ANSI Standard Specification A137.1 Metropolitan Ceramics' unglazed quarry tile is classified as quarry tile, however, the exceptional technical characteristics noted allow them to be used in virtually any application suitable for ceramic tile. Metropolitan Ceramics' unglazed tile meets both the ASTM standards, the ANSI A137.1 specification for quarry tile, and Metropolitan internal standards as listed.

Cleaning and Maintenance

Metropolitan quarry tile is easy to maintain and requires only neutral cleaners and no special power washing!

For complete specification and cleaning/maintenance information, including download versions, please visit our web site - metroceramics.com

Contact

1.800.325.3945
email: info@ironrock.com
metroceramics.com

P.O. Box 9240 Canton, OH 44711



METROPOLITAN
C E R A M I C S

Ironrock Since 1866

MET_VM_0317